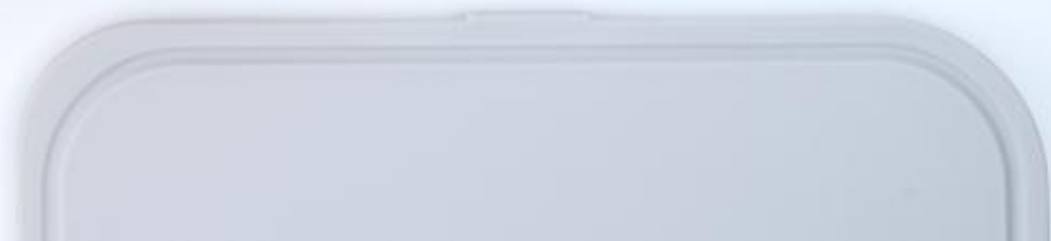




Xiamen Box Household Co.,Ltd.
厦门博科世日用品有限公司

DESIGN HOTELS™
YEARBOOK 09

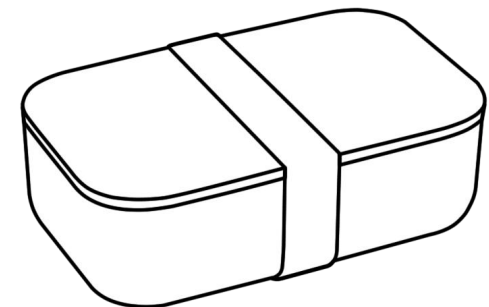


01

PART ONE

Product Info

Technical data and logistic details of T105A





TF105

**Bamboo Fiber Lunch Box
with a standard cutlery set**



TF105-Natural



TF105-Pink



Item # TF105

Weight: 335 g Size: 19.65x12.40x7.40 cm

0.74 LBS 7.74*4.88*2.91 ins

Capacity: 1000 ml

33.81 oz

Body Material: Bamboo Fiber+PP/Silicone

Lid Material: Bamboo Fiber+PP

Colors:  or custom colors

Packaging: OPP Bag

Master CTN Size: 52*40.8*40.2cm

20.47*16.06*15.83 ins

PCS/CTN: 40 PCS/CTN

N.W.: 13.60 KG/CTN G.W.: 14.80 KG/CTN

29.98 LBS/CTN

32.63 LBS/CTN



T105

**PP Lunch Box
with a standard cutlery set**



T105-Blue

T105-Pink





Item # T105

Weight: 267 g Size: 19.5x12.25x7.35 cm

0.59 LBS 7.68*4.82*2.89 ins

Capacity: 1000 ml

33.81 oz

Body Material: PP/Silicone

Lid Material: PP

Colors:  or custom colors

Packaging: OPP Bag

Master CTN Size: 52*40.8*40.2cm

20.47*16.06*15.83 ins

PCS/CTN: 40 PCS/CTN

N.W.: 10.6 KG/CTN G.W.: 11.8 KG/CTN

23.37 LBS/CTN 26.01 LBS/CTN

Full version

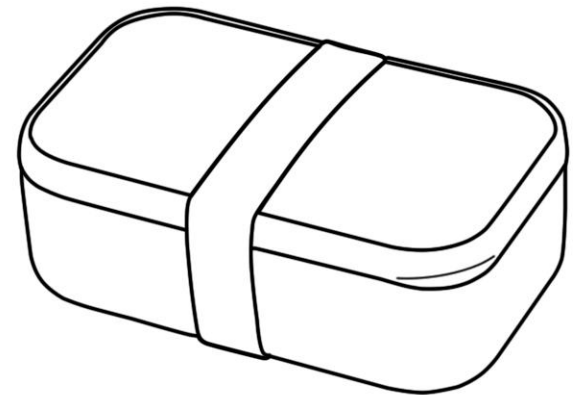


02

PART ONE

Functional design

No matter how you lunch, there is a “BOX” to meet your needs.

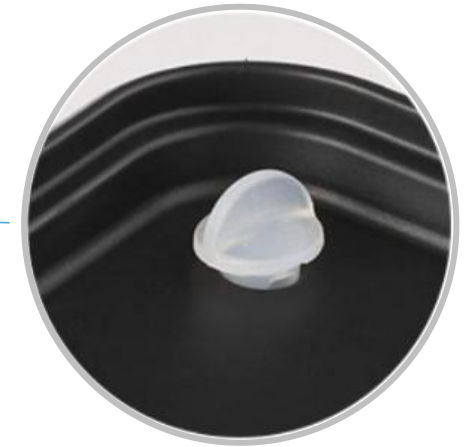


Functional Design



→ 1. Unique small design allows you to open middle lid easy after open vent plug.

2. The silicone vent plug has a very good sealing performance. When the silicone plug is sealed, it is difficult for us to open the lid.



→ 3. Bamboo lid with V-shaped silicone sealing ring improved leakproof performance, better sealing than the lunch box in the market.

Functional Design



→ 4. When we open the silicone vent plug, the non-slip design allows us to easily open the lid.

5. Movable divider can flexibly arrange the storage space according to different usage situation.



→ 6. Round corner design, using the dishwasher can clean it without dead space.

Functional Design

7. The strap is made of Nylon material, which has a service life of 3 to 4 years, and is more malleable, supporting the use of single-layer and double layer lunch box.

While on the market is made of Polyester material, which has a service life of only 1 to 2 years.



Custom printing for reference



Lunch box set for reference



03

PART THREE

Safety & Compliance

Comply with International Standards

Safety

Temperature endurance from -20°C to 120°C

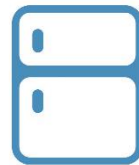
Microwave safe*, dishwasher & freezer safe.



微波炉适用
MICROWAVE
SAFE



洗碗机适用
DISHWASHER
SAFE



冰箱适用
REFRIGERATOR
SAFE



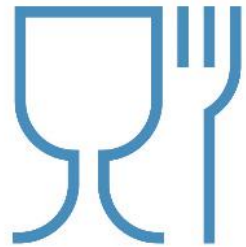
密封性能佳
100% LEAK-PROOF

*Microwave safe:

1. Make sure the food is hydrated before reheating in microwave, it is recommended to use medium to high heat, temperature no more than 120°C, reheating time no more than 3 minutes.
2. Please remove the bamboo lid before reheating in microwave.

Certificates

Food grade material PP, PP imported from south Korea, BPA free, MSDS report available.
Products are FDA & LFGB approved.



FOOD GRADE



BPA FREE




FDA
US STANDARD



LFGB
EU STANDARD



MSDS Certificate of Plastic Raw Materials

 물질안전보건자료(Material Safety Data Sheet)

HX3800

Division HXP380

1. IDENTIFICATION

A. Product name:
HX3800

B. Recommended use of the chemical and restrictions on use:
-General use: Materials of wide use plastic
-Restriction on use: Not available

C. Information of manufacturer, supplier:

Company:
: SK global chemical co., LTD

Address:
Head office) 99, Seorin-dong, Jongno-gu, Seoul, Korea
Factory) 110, Gosa-dong, Nam-gu, Ulsan, Korea
Laboratory) 325, Expo-ro, Yuseong-gu, Daejeon, Korea

Emergency Telephone No:
: 82-42-609-8340

2. HAZARD IDENTIFICATION

A. Classification:
None : None

B. Label element, including precautionary statements:

Symbols:

Signal word(s):

Hazard statement(s):
-


Precautionary statement(s):

Prevention

Response

Storage

1/1 페이지

 물질안전보건자료(Material Safety Data Sheet)

- Not applicable
* CERCLA Section 103 (40CFR302.4)

- Not applicable
* EPCRA Section 302 (40CFR355.30)

- Not applicable
* EPCRA Section 304 (40CFR355.40)

- Not applicable
* EPCRA Section 313 (40CFR372.65)

- Not applicable
 Rotterdam Convention listed ingredients

- Not applicable
 Stockholm Convention listed ingredients

- Not applicable

16. OTHER INFORMATION

A. References and sources for data:

- The information contained herein is believed to be accurate. It is provided independently of any sale of the product for purpose of hazard communication. It is not intended to constitute performance information concerning the product. No express warranty, or implied warranty of merchantability or fitness for a particular purpose is made with respect to the product or the information contained herein.

- This Safety Data Sheet was compiled with data and information from the following sources: KOSHA, NITE, ESIS, NLM, SIDS, IPCS

B. Originated date:
- 2015-06-11

C. Revision number and date:
- 2 times, 2017-03-02

1/11 페이지

FDA Certificate



Test Report

No.: XMHL1905003155CW-01 Date: Jun. 13, 2019 Page 1 of 4

XIAMEN BOX HOUSEHOLD CO.,LTD
BOX BUILDING 507 NO.166-170 YUEHUA ROAD,HULI DISTRICT,XIAMEN,CHINA.

The following sample(s) was/were submitted and identified on behalf of the client as:

Sample Description : LUNCHBOX
 SGS Ref No. : CANHG1910226801
 Client Reference Information : Style / Item No.:T105, T105A, T105B, T105C, T106, T107, T108, T109, T110, T111, T112,TC201,TC103,TC104
 Manufacture : XIAMEN BOX HOUSEHOLD CO.,LTD
 Country of Origin : CHINA
 Sample Receiving Date : May. 28, 2019
 Test Performing Date : May. 28, 2019 to Jun. 6, 2019
 Test Performed : Selected test(s) as requested by applicant
 Test Result(s) : For further details, please refer to the following page(s)

Result Summary:

Test Requested	Conclusion
FDA 21 CFR 177.1520—Maximum extractable fraction in n-Hexane	PASS
FDA 21 CFR 177.1520—Maximum soluble fraction in xylene	PASS
FDA 21 CFR 177.1520—Density at 23°C	PASS
FDA 21 CFR 177.1520—Melting Point	PASS

Conclusion : The tested parameters comply with the requirement stated in Food and Drug Administration Regulations.

Signed for and on behalf of
Xiamen Branch, SGS-CSTC Co., Ltd.

Sharky Xia
Approved Signatory



SGS-CSTC (China) Inspection & Testing Co., Ltd.
Xiamen Branch | 厦门分公司

Unless otherwise agreed in writing, this document is issued by the Company subject to its General Conditions of Service printed overleaf, available on request or accessible at <http://www.sgs.com/terms-and-conditions.aspx> and, for electronic formal documents, subject to Terms and Conditions for Electronic Documents, available at <http://www.sgs.com/terms-and-conditions.aspx>. Attention is drawn to the limitation of liability, indemnification and jurisdiction clause defined therein. Any holder of this document is advised that information contained herein reflects the Company's findings at the time of its intervention only and within the limits of Client's instructions, if any. The Company's sole responsibility is to its Client and this document does not constitute a contract or a transaction free extinguishing all their rights and obligations under the transaction documents. This document cannot be reproduced except in full, without prior written approval of the Company. Any unauthorized alteration, forgery or falsification of the content or appearance of this document is unlawful and offenders may be prosecuted to the fullest extent of the law. Unless otherwise stated the results shown in this report refer only to the samples named and such samples are retained for 90 days only.
Attention: To check the authenticity of testing / inspection report & certificate, please contact us at telephone (86-755) 8327 1683 or e-mail: CS.Docs@sgs.com

No.37 Xiangyang Road, Xiangyang First Industrial Zone, Xiamen, Fujian Province, China 361101 | (86-592) 5788537 | (86-592) 5786486 | www.sgs.com or www.sgs.cn
 中国·福建·厦门·大厝 | 翔安 | 翔安工业园区翔安路37号 邮编: 361101 | (86-592) 5788537 | (86-592) 5786486 | sgs.china@sgs.com

Member of the SGS Group (SGS SA)



Test Report

No.: XMHL1905003155CW-01 Date: Jun. 13, 2019 Page 2 of 4

Test Results:

Test Part Description:

Specimen No.	SGS Sample ID	Description	Material (claimed by the client)
SN1	CAN19-1022268.001	Pink plastic box	PP

FDA 21 CFR 177.1520—Maximum extractable fraction in n-Hexane

Test Method : With reference to US FDA 21 CFR 177.1520 d(3)(i).

Simulant Used	Time	Temperature	Max. Permissible Limit	Result of 001	Comment
n-Hexane	2hr(s)	Reflux temperature	6.4%(w/w)	<0.5%(w/w)	PASS

Notes:

%w/w = percentage of weight by weight

FDA 21 CFR 177.1520—Maximum soluble fraction in xylene

Test Method : With reference to US FDA 21 CFR 177.1520 d(4)(i).

Test Item(s)	Limit	Unit	MDL	001
Soluble fraction in Xylene	9.8	%(w/w)	0.5	1.4
Comment				PASS

Notes:

%w/w = percentage of weight by weight

FDA 21 CFR 177.1520—Density at 23°C

Test Method : With reference to US FDA 21 CFR 177.1520 d(1).

Test Item(s)	Limit	001
Density at 23°C, g/cm ³	0.880-0.913	0.910
Comment		PASS



SGS-CSTC (China) Inspection & Testing Co., Ltd.
Xiamen Branch | 厦门分公司

Unless otherwise agreed in writing, this document is issued by the Company subject to its General Conditions of Service printed overleaf, available on request or accessible at <http://www.sgs.com/terms-and-conditions.aspx> and, for electronic formal documents, subject to Terms and Conditions for Electronic Documents, available at <http://www.sgs.com/terms-and-conditions.aspx>. Attention is drawn to the limitation of liability, indemnification and jurisdiction clause defined therein. Any holder of this document is advised that information contained herein reflects the Company's findings at the time of its intervention only and within the limits of Client's instructions, if any. The Company's sole responsibility is to its Client and this document does not constitute a contract or a transaction free extinguishing all their rights and obligations under the transaction documents. This document cannot be reproduced except in full, without prior written approval of the Company. Any unauthorized alteration, forgery or falsification of the content or appearance of this document is unlawful and offenders may be prosecuted to the fullest extent of the law. Unless otherwise stated the results shown in this report refer only to the samples named and such samples are retained for 90 days only.
Attention: To check the authenticity of testing / inspection report & certificate, please contact us at telephone (86-755) 8327 1683 or e-mail: CS.Docs@sgs.com

No.37 Xiangyang Road, Xiangyang First Industrial Zone, Xiamen, Fujian Province, China 361101 | (86-592) 5788537 | (86-592) 5786486 | www.sgs.com or www.sgs.cn
 中国·福建·厦门·大厝 | 翔安 | 翔安工业园区翔安路37号 邮编: 361101 | (86-592) 5788537 | (86-592) 5786486 | sgs.china@sgs.com

Member of the SGS Group (SGS SA)



Test Report

No.: XMHL1905003155CW-01 Date: Jun. 13, 2019 Page 3 of 4

FDA 21 CFR 177.1520—Melting Point

Test Method : With reference to US FDA 21 CFR 177.1520 d(2).

Test Item(s)	Limit	001
Melting Point, °C	160-180	166.2
Comment		PASS

Remark:

1. According to client's statements, the Style/Item No. as stated on the first page are identical to test sample.
 2. This test report is to supersede No. XMHL1905003155CW test report which was issued on Jun. 6, 2019. And the original test reports (paper and electronic) are invalid.

Sample photo(s):



CANHG1910226801
CAN19-1022268.001



SGS-CSTC (China) Inspection & Testing Co., Ltd.
Xiamen Branch | 厦门分公司

Unless otherwise agreed in writing, this document is issued by the Company subject to its General Conditions of Service printed overleaf, available on request or accessible at <http://www.sgs.com/terms-and-conditions.aspx> and, for electronic formal documents, subject to Terms and Conditions for Electronic Documents, available at <http://www.sgs.com/terms-and-conditions.aspx>. Attention is drawn to the limitation of liability, indemnification and jurisdiction clause defined therein. Any holder of this document is advised that information contained herein reflects the Company's findings at the time of its intervention only and within the limits of Client's instructions, if any. The Company's sole responsibility is to its Client and this document does not constitute a contract or a transaction free extinguishing all their rights and obligations under the transaction documents. This document cannot be reproduced except in full, without prior written approval of the Company. Any unauthorized alteration, forgery or falsification of the content or appearance of this document is unlawful and offenders may be prosecuted to the fullest extent of the law. Unless otherwise stated the results shown in this report refer only to the samples named and such samples are retained for 90 days only.
Attention: To check the authenticity of testing / inspection report & certificate, please contact us at telephone (86-755) 8327 1683 or e-mail: CS.Docs@sgs.com

No.37 Xiangyang Road, Xiangyang First Industrial Zone, Xiamen, Fujian Province, China 361101 | (86-592) 5788537 | (86-592) 5786486 | www.sgs.com or www.sgs.cn
 中国·福建·厦门·大厝 | 翔安 | 翔安工业园区翔安路37号 邮编: 361101 | (86-592) 5788537 | (86-592) 5786486 | sgs.china@sgs.com

Member of the SGS Group (SGS SA)

Concentration

Original

LFGB Certificate



Test Report

No.: XMHL1905003156CW-01 Date: Jun. 13, 2019 Page 1 of 7

XIAMEN BOX HOUSEHOLD CO.,LTD
BOX BUILDING 507 NO.166-170 YUEHUA ROAD,HULI DISTRICT,XIAMEN,CHINA

The following sample(s) was/were submitted and identified on behalf of the client as:

Sample Description : LUNCHBOX
 SGS Ref No. : CANHG1910227901
 Client Reference Information : Style / Item No.:T105, T105A, T105B, T105C, T106, T107, T108, T109, T110, T111, T112,TC201,TC103,TC104
 Manufacture : XIAMEN BOX HOUSEHOLD CO.,LTD
 Country of Origin : CHINA
 Sample Receiving Date : May. 28, 2019
 Test Performing Date : May. 28, 2019 to Jun. 6, 2019
 Test Performed : Selected test(s) as requested by applicant
 Test Result(s) : For further details, please refer to the following page(s)



Test Report

No.: XMHL1905003156CW-01 Date: Jun. 13, 2019 Page 2 of 7

Result Summary:

Test Requested	Conclusion
German Food, Articles of Daily Use and Feed Code of September 1, 2005 (LFGB), Section 30 & 31 with amendments, European Commission Regulation (EU) No 10/2011 with amendments and BFR recommendation – Overall migration	PASS
German Food, Articles of Daily Use and Feed Code of September 1, 2005 (LFGB), Section 30 & 31 with amendments–Colour Release	PASS
German Food, Articles of Daily Use and Feed Code of September 1, 2005 (LFGB), Section 30 & 31 with amendments–Sensorial examination odour and taste test	PASS
German Food, Articles of Daily Use and Feed Code of September 1, 2005 (LFGB), Section 30 & 31 with amendments, European Commission Regulation (EU) No 10/2011 with amendments and BFR recommendation–Specific Migration of Heavy Metal	PASS
German Food, Articles of Daily Use and Feed Code of September 1, 2005 (LFGB), Section 30 & 31 with amendments, European Commission Regulation (EU) No 10/2011 with amendments and BFR recommendation–Lead and Cadmium	PASS
Polycyclic Aromatic Hydrocarbons (PAHs)	PASS

Conclusion : The tested parameters comply with the requirements stated in German Food, Articles of Daily Use and Feed Code of September 1, 2005(LFGB) Section 30 & 31 with amendments, and Regulation (EC) No 1935/2004 of the European Parliament and of the Council of 27 October 2004.

Signed for and on behalf of
Xiamen Branch, SGS-CSTC Co., Ltd.

Sharky Xia
Approved Signatory



Unless otherwise agreed in writing, this document is issued by the Company subject to its General Conditions of Service printed overleaf, available on request or accessible at <http://www.sgs.com/termsandconditions.aspx> and, for electronic format documents, subject to Terms and Conditions for Electronic Documents at <http://www.sgs.com/termsandconditions.aspx>. Attention is drawn to the limitation of liability, indemnification and jurisdiction issues defined therein. Any holder of this document is advised that information contained herein reflects the Company's findings at the time of its intervention only and within the limits of Client's instructions, if any. The Company's sole responsibility is to its Client and this document does not constitute parties to a transaction that exceeds all their rights and obligations under the transaction documents. This document cannot be reproduced, stored in a retrieval system, or transmitted in any form or by any means, electronic, mechanical, photocopying, recording, or by any information storage or retrieval system, without prior written approval of the Company. Any unauthorized alteration, forgery or falsification of the content or appearance of this document is unlawful and offenders may be prosecuted to the fullest extent of the law. Unless otherwise stated, the results shown in this test report refer only to the sample(s) tested and such sample(s) are retained for 30 days only.

Attention: To check the authenticity of business certificate, please contact us at telephone (86-755) 8337 1633, or email: CN.Docs@sgs.com
No.31 Jiangyin Road, Nanjing, Jiangsu Province, China 261101 | Tel: (86-502) 5796607 | Fax: (86-502) 5796640 | www.sgs.com
中国·福建·厦门·大厝 | 翔安 | 产业区翔安路31号 邮编: 361101 | 电话: (86-502) 5796607 | 传真: (86-502) 5796640 | www.sgs.com

Member of the SGS Group (SGS SA)



Unless otherwise agreed in writing, this document is issued by the Company subject to its General Conditions of Service printed overleaf, available on request or accessible at <http://www.sgs.com/termsandconditions.aspx> and, for electronic format documents, subject to Terms and Conditions for Electronic Documents at <http://www.sgs.com/termsandconditions.aspx>. Attention is drawn to the limitation of liability, indemnification and jurisdiction issues defined therein. Any holder of this document is advised that information contained herein reflects the Company's findings at the time of its intervention only and within the limits of Client's instructions, if any. The Company's sole responsibility is to its Client and this document does not constitute parties to a transaction that exceeds all their rights and obligations under the transaction documents. This document cannot be reproduced, stored in a retrieval system, or transmitted in any form or by any means, electronic, mechanical, photocopying, recording, or by any information storage or retrieval system, without prior written approval of the Company. Any unauthorized alteration, forgery or falsification of the content or appearance of this document is unlawful and offenders may be prosecuted to the fullest extent of the law. Unless otherwise stated, the results shown in this test report refer only to the sample(s) tested and such sample(s) are retained for 30 days only.

Attention: To check the authenticity of business certificate, please contact us at telephone (86-755) 8337 1633, or email: CN.Docs@sgs.com
No.31 Jiangyin Road, Nanjing, Jiangsu Province, China 261101 | Tel: (86-502) 5796607 | Fax: (86-502) 5796640 | www.sgs.com
中国·福建·厦门·大厝 | 翔安 | 产业区翔安路31号 邮编: 361101 | 电话: (86-502) 5796607 | 传真: (86-502) 5796640 | www.sgs.com

Member of the SGS Group (SGS SA)

Concentration

Original



Test Report

No.: XMHL1905003156CW-01 Date: Jun. 13, 2019 Page 3 of 7

Test Results:

Test Part Description:

Specimen No.	SGS Sample ID	Description	Material (claimed by the client)
SN1	CAN19-102279.001	Pink plastic box	PP

German Food, Articles of Daily Use and Feed Code of September 1, 2005 (LFGB), Section 30 & 31 with amendments, European Commission Regulation (EU) No 10/2011 with amendments and BFR recommendation – Overall migration

Test Method : With reference to Commission Regulation (EU) No 10/2011 of 14 January 2011 Annex III and Annex V for selection of condition and EN 1186-1:2002 for selection of test methods; or EN 1186-9:2002 aqueous food simulants by article filling method; or EN 1186-14:2002 substitute test

Simulant Used	Time	Temperature	Max. Permissible Limit	Result of 001 Overall Migration	Comment
3% Acetic Acid (VV) Aqueous Solution	1.0hr(s)	100°C	10mg/dm ²	<3.0mg/dm ²	PASS
10% Ethanol (VV) Aqueous Solution	1.0hr(s)	100°C	10mg/dm ²	<3.0mg/dm ²	PASS
95% Ethanol	4.0hr(s)	60°C	10mg/dm ²	<3.0mg/dm ²	PASS
Isooctane	2.0hr(s)	60°C	10mg/dm ²	<3.0mg/dm ²	PASS

Notes:

1. mg/dm² = milligram per square decimeter
2. mg/kg = milligram per kilogram of foodstuff in contact with
3. °C = degree Celsius
4. Analytical tolerance of aqueous simulants is 2mg/dm² or 12mg/kg
5. Analytical tolerance of fatty food simulants is 3mg/dm² or 20mg/kg
6. The test data is obtained by considering the articles intended for repeated use as per described in Commission Regulation (EU) No 10/2011 of 14 January 2011 Annex V. Report the 3rd extractive result.

German Food, Articles of Daily Use and Feed Code of September 1, 2005 (LFGB), Section 30 & 31 with amendments–Colour Release

Test Method : With reference to Kunststoff e m Lebensmittelverkehr, Part B III X.



Unless otherwise agreed in writing, this document is issued by the Company subject to its General Conditions of Service printed overleaf, available on request or accessible at <http://www.sgs.com/termsandconditions.aspx> and, for electronic format documents, subject to Terms and Conditions for Electronic Documents at <http://www.sgs.com/termsandconditions.aspx>. Attention is drawn to the limitation of liability, indemnification and jurisdiction issues defined therein. Any holder of this document is advised that information contained herein reflects the Company's findings at the time of its intervention only and within the limits of Client's instructions, if any. The Company's sole responsibility is to its Client and this document does not constitute parties to a transaction that exceeds all their rights and obligations under the transaction documents. This document cannot be reproduced, stored in a retrieval system, or transmitted in any form or by any means, electronic, mechanical, photocopying, recording, or by any information storage or retrieval system, without prior written approval of the Company. Any unauthorized alteration, forgery or falsification of the content or appearance of this document is unlawful and offenders may be prosecuted to the fullest extent of the law. Unless otherwise stated, the results shown in this test report refer only to the sample(s) tested and such sample(s) are retained for 30 days only.

Attention: To check the authenticity of business certificate, please contact us at telephone (86-755) 8337 1633, or email: CN.Docs@sgs.com
No.31 Jiangyin Road, Nanjing, Jiangsu Province, China 261101 | Tel: (86-502) 5796607 | Fax: (86-502) 5796640 | www.sgs.com
中国·福建·厦门·大厝 | 翔安 | 产业区翔安路31号 邮编: 361101 | 电话: (86-502) 5796607 | 传真: (86-502) 5796640 | www.sgs.com

Member of the SGS Group (SGS SA)

Domestic Design Patents



Even Lid
Allows you to print your logo or design perfectly.



Silicone sealed
Leakproof due to our tight fit design and silicone sealed lids.



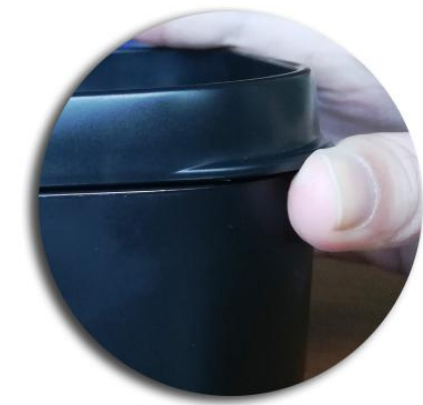
Ventilation plugs
Silicone ventilation plugs for easy opening & closing.



Divider
Allows you to carry a selection of lunch and snack items in one container.



Special design
Allows you to sealed inner cover better.



Unique design
Allows you to open inner cover easy.

THANKS

